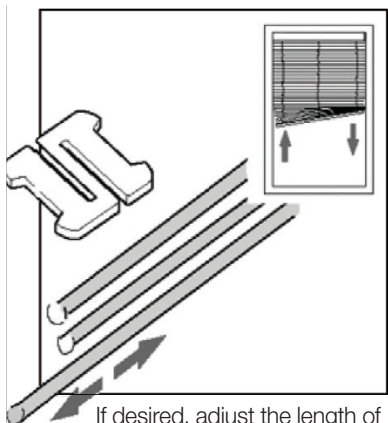
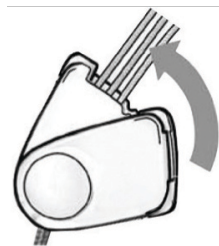
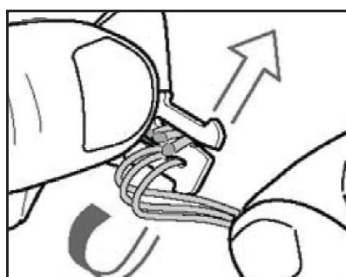


Safety cord connector

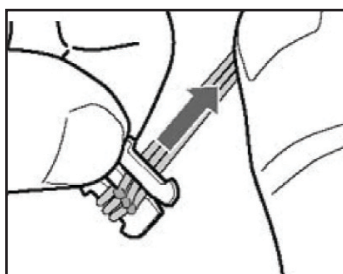
Cord Connector: As a safety feature, if weight is placed between the pull cords, the cord connector will open automatically. The pull cords can also be adjusted by opening the cord connector.



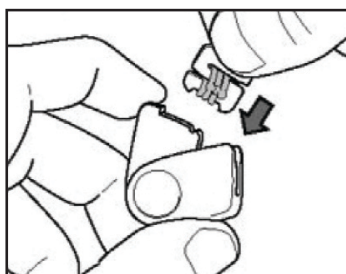
If desired, adjust the length of one of the pull cords.



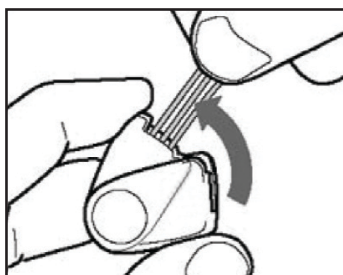
Insert the Pull cords into the "S" hook as shown in the drawing.



Wrap the pull cords once around the "S" hook from the bottom and pull the cords tight.



Insert the "S" hook horizontally back into the cord connector. Please Note: keep the cords pulled tight.



Close the cord connector.

Weathermaster®

weathermaster.co.nz