

ROMAN BLINDS

SPECIFICATION SHEET



Call the Blind & Awning experts now to book your
free in-home consultation, measure and quote

0800 10 27 10
WWW.WEATHERMASTER.CO.NZ

Copyright 2010 This document may not be reproduced without
authorisation from New Zealand Window Shades Limited

Weathermaster[®]
THE BLIND & AWNING EXPERTS

ROMAN BLINDS

SPECIFICATION SHEET



Roman Blinds bring casual styling to any window. The choice of fabrics is extensive, ranging from blockouts to the latest developments in light-controlling Sunscreens. A range of decorator options gives the Interior Designer artistic freedom to create a space that reflects their individuality.

Fabric Range

From the latest range of textured block out fabrics through to the high technology sunscreen fabrics. Weathermaster PANEL GLIDE blinds offer 170 colour/fabric options.

Applications

Internal installations where heat, light and/or privacy control are required, e.g. offices, board rooms and common areas.

Installations where a casual styling or home-like feel is sought.

Fabric Specification Overview

All Roman Blind fabrics are 100% polyester or polymer coated fibreglass. Many are treated with TEFLON® Fabric Protector and SANITIZED® Antimicrobial Protection.

Hardware Specification Overview

Roman Blinds

Cordlock and pulley system mounted on timber headrail. 'No-Sew' aluminium battens with self-aligning cords.

Durability

The colour fastness of the fabric is 6-7 Blue Scale (where maximum score is 7) (AS 2001.4.21)

The aluminium battens are unaffected by moisture and corrosion resistant.

The operating hardware has been cycle tested to ensure long term performance.

Energy Benefits

Window treatments that are tight fitting to the window and made from closely woven fabrics, provide one of the most effective ways to prevent heat transmittance through windows.

Roman Blinds can be fitted in the window reveal and have no gaps between panels that would otherwise allow warm air to escape. Select a blackout or room darkening fabric, with a white or light colour facing the window for optimum energy performance. Extraflocke fabrics come in a range of colours, some specifically selected for the Commercial environment and have a neutral flocked backing for superior heat rejection.

Environmental and Employee Benefits

Fabrics can be selected to give building occupants the optimum combination of light and heat control, privacy and view to the outside. The ease of operation of Roman Blinds puts all users in complete control of their environment.

New Zealand Window Shades, operates under an Environmental Management System that actively works towards waste and emission reduction and maximising the use of recycling.

Hunter Douglas Limited polyester fabrics do not emit VOCs.

Fire Retardant

Several fabrics are suitable for use in Class 2-9 buildings except in Fire Isolated Exits, in accordance with the Building Code of Australia. Please ask about the fire properties of the fabric of your choice.

Quality

Hunter Douglas, the supplier of Roman Blind fabrics and components to NZWS, is a quality endorsed company, certified as complying with the requirements of AS/NZS ISO 9001:2000.

Commercial Warranty

All Roman Blinds are covered by a 1 year Commercial Warranty. Conditions apply.



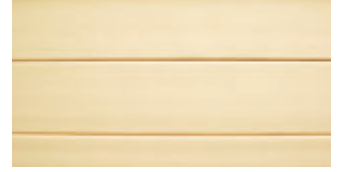
ROMAN BLINDS

SPECIFICATION SHEET

Features

'No-sew' Design

The method of manufacture ensures that panels are always parallel and there are no pin holes of light visible in blackout fabrics. Aluminium battens are colour co-ordinated with the rear face of the fabric.



Fade-protected Design

The folding panel arrangement of Roman Blinds ensures that the front face of the fabric is protected from harmful UV rays, even when the blind is raised.

Each extrusion hangs slightly lower than the previous one to minimise the stack depth when the shade is raised. Stack depth is 280mm.



Timber Headrail

The operating mechanism of Roman Blinds is attached to a timber headrail. The colour is co-ordinated with the fabric, for a less obtrusive appearance.

Cord or Chain Operation or Chain Control Mechanism

Roman Blinds are manually operated using cords.

Cords are finished with colour co-ordinated tassels.

The Blind is held in the raised position with a positive action cordlock.

Chain supplied in 750mm, 1250mm, 1500mm or 1750mm lengths.

Timber Pelmet

Optional 70mm Cedar pelmet is available with a further option of mitred returns.



Cedar Pelmet

Automatic

Roman Blinds can also be automated. They can be controlled by switch, remote control or operation by C-Bus or building management systems. Blinds can be operated individually or via group controls.

Trim Options



Cedar Bottom rail (optional)



Aluminium Bottom Rail is standard.



Akaroa Battens (front view)



Aluminium Battens (front view)

ROMAN BLINDS

SPECIFICATION SHEET

Size Limitations

	Atmosphere Fabric	Sunscreen Fabrics	Automated
Minimum Width (mm)	300	300	580
Maximum Width (mm)	2450	2500	Same per fabric as manual blinds
Minimum Drop (mm)	600	600	600
Maximum Drop (mm)	2500	2500	2500
Maximum Area (sqm)	6.0	6.1	6.0

Stack space is 280mm

Panel Sizes

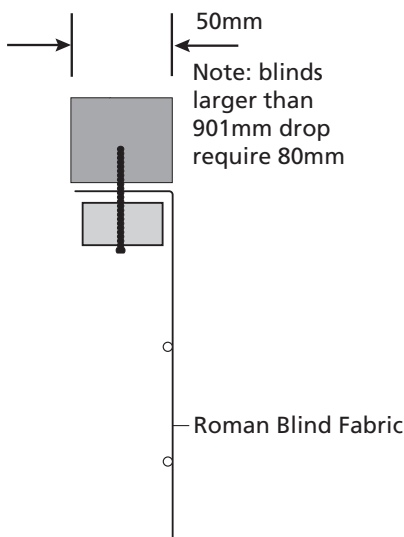
The top panel is always 280mm and the other panel sizes will vary depending on the drop of the blind.

Drop (mm)	No. of Panels
under 700	3
701-1149	5
1150-1549	7
1550-1949	9
1950-2349	11
over 2350	13

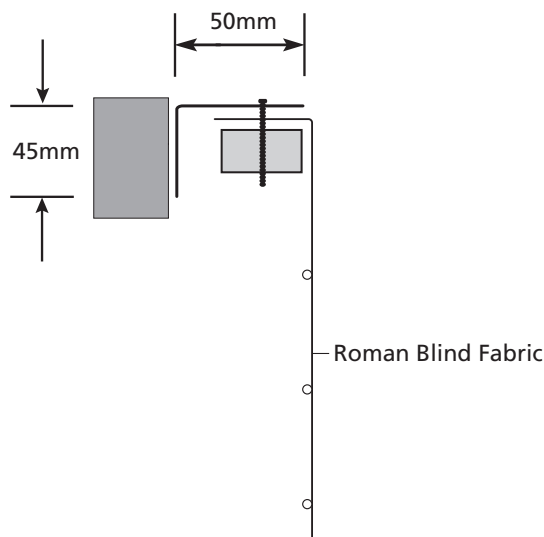
Note: this chart is an indication only.

Installation

Reveal Fit



Face Fit



Specification Template

Product Name	Roman Blinds
Material	Fabric shall be Hunter Douglas fabric which is manufactured from Woven Polyester/Polymer Coated Fibreglass.
Colour	The colour shall be
Fabric Treatment	(If applicable – check fabric specification for details and strike out treatments that are not applicable.) Fabric shall be treated with TEFLON® Fabric Protector and SANITIZED® Antimicrobial Protection.
Operation	The Blind shall be operated using a cord lock and pulley system with 'no sew' aluminium extrusions with self-aligning cords/timber battens.
Headrail	The headrail shall be manufactured from lacquered timber, 40mm x 19mm in dimension.
Pelmet	The Roman Blind shall incorporate a fabric pelmet to conceal the operating hardware.
Panel Configuration	The Roman Blind shall fold in such a manner that the front face of the fabric is never exposed to the sun.